

»FUTURA-mini« series

Micro-filters in modern design for compliance with strict compressed air purity requirements.

Micro-filters are used to separate solid oil, water and solid impurities as small as 0.01 µm from compressed air and gases.

Input pressure	1.5 - 12 bar
Temperature range	-10 °C to 50 °C
Medium	Compressed air, neutral gases
Housing	PA66 GF60
Connecting thread	Plastic
Sealant	NBR
Filter element	Borosilicate glass fibre
Filter rating	0.01 µm
Residual oil content	< 0.01 mg/m ³
Dust separation	> 0.01 µm 99.999 %
Flow rate	190 l/min
Flow rate measurement	At P ₂ = 6 bar and pressure drop Δ _p = 0.1 bar

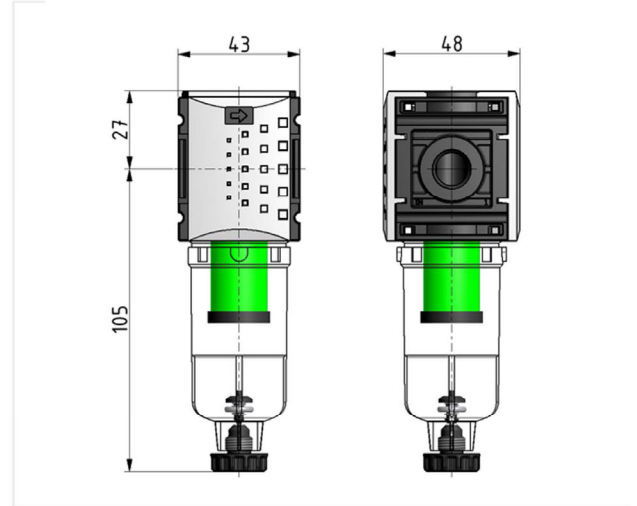
Micro-filter with polycarbonate bowl

Art. No.	Type No.	Thread	Size	Condensate drain
142448	FUM 871	G 1/4	0	Semi-automatic
142449	FUM 881	G 1/4	0	Fully-automatic
142450	FUM 881-C	G 1/4	0	Fully-automatic (NC)

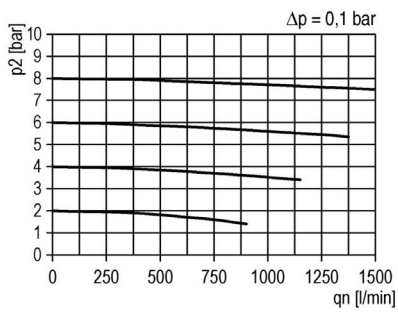
Accessories / spare parts

Art. No.	Type No.	Description
143105	H 848	Mounting bracket, incl. 2 screws
143010	WKM 100	Coupling package for wall mounting incl. 2 screws and O-ring
143022	KPM 100	Coupling package incl. 2 screws and O-ring
100381	M 23/40	Micro-filter element (borosilicate-POM)
100357	640/1-HA	Polycarbonate bowl (filter)
152077	WK 100-14	Wall bracket with connection thread G 1/4
143144	640/11-A-NC	Metal container, Fully-automatic (NC)
152961	655.6.901	Automatic drain valve, usually closed (NC)
100361	KS 11 F-A	Polycarbonate bowl with automatic draining
143142	KS 11 F-A-NC	Polycarbonate container, Fully-automatic (NC)
100359	641/11-HA	Metal bowl with semi-automatic drain
100360	640/11-A	Metal bowl with automatic drain valve
118137	302.4.9	O-ring 30x2 mm for container
100362	655.6.900	Automatic drain valve

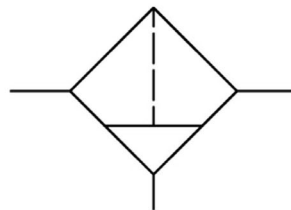
Semi-automatic:



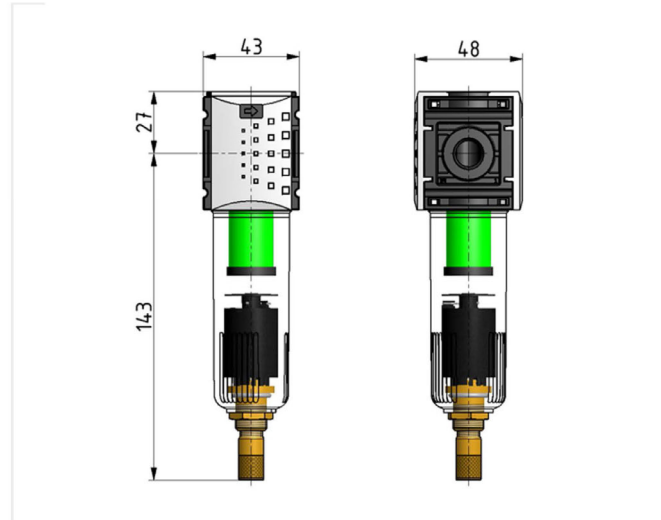
flow characteristic



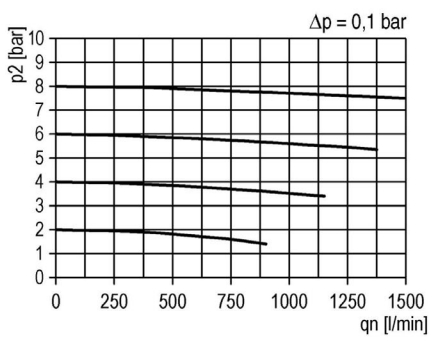
symbol



Fully-automatic:



flow characteristic



symbol

